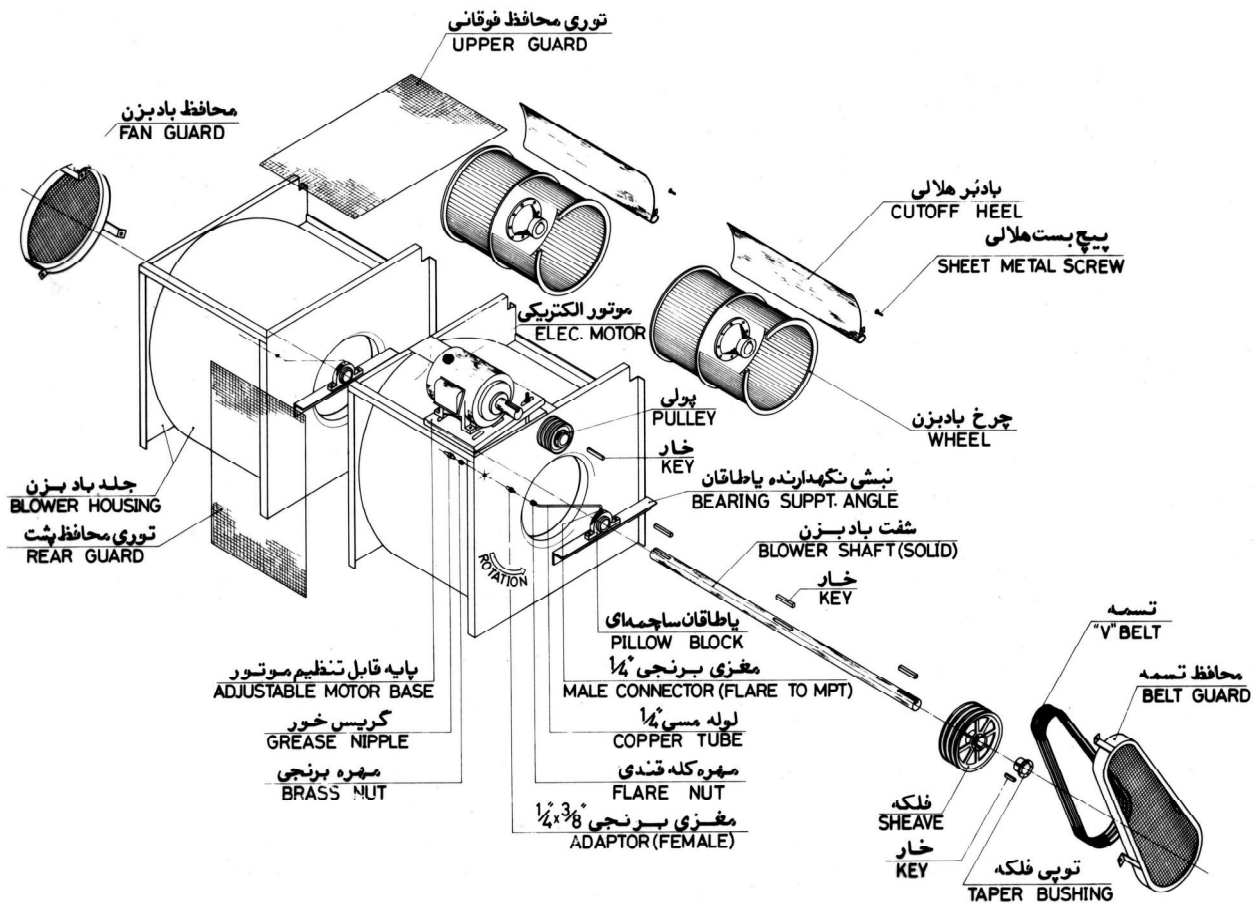


FABRICATING METHOD OF
COOLING DECK & ELIMINATOR.

EXPLODED DWG. OF SINGLE
FAN FOR COOLING TOWERS.



EXPLODED DWG. OF DUPLEX
FAN FOR COOLING TOWERS.